

Switch Quick Start Guide

v0.1

Specification

Mechanical Specifications

Dimensions (L x W x H)	81 (W) x 68 (H) x 27 (T) mm 3.19 (W) x 2.68 (H) x 1.06 (T) in
Net Weight	0.1kg / 0.2lbs
Enclosure Material	ABS-PC, UL94 V-0 fire rated
IP Rating	IP50, not weatherproof; should be installed in an enclosed location

Mounting

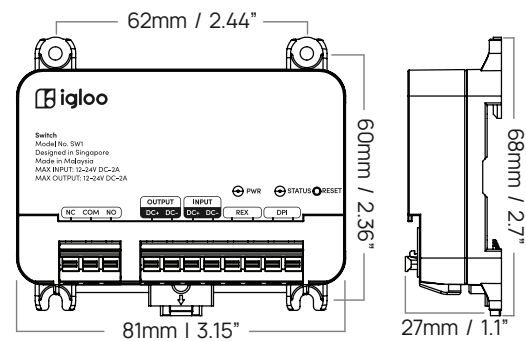
Top hat DIN rail EN 50022 – 35 × 7.5 × 1 mm
Wall or Panel Mount using M3 or PA-ST2.9 screws

Environmental

Operating Temp	-20°C to 50°C / -4°F to 122°F
Relative Humidity (RH)	0-85% RH (non-condensing)
Storage Temp	-30°C to 70°C / -22°F to 158°F
Relative Humidity (RH)	0-95% RH (non-condensing)

Power

consumption (typical) 1W (unloaded)



Pin-out

INPUT

DC+	DC power input
DC-	Required: 9-24V DC-2A

OUTPUT (from switch internal power supply)

DC+	DC power output
DC-	Max: 9-24V DC-2A (18W - 48W)

DOOR

NC	Normally Closed / Max 24V @ 2A
NO	Normally Open / Max 24V @ 2A
COM	Common Can be used with secondary power supply to operate hardware, or used as a dry contact signal for other panels.

REX Dry contact request to exit input (trigger door open). REX is triggered when the circuit is open. This ensures safe egress if a switch or wire fails. A closed circuit means REX is not active.

DPI Dry contact door position switch input. DPI is triggered when the circuit is either open or closed. The default setting to trigger the DPI is open. This can be switched within the app settings.

RESET Press & hold the reset button (10 s) to restore factory settings. Caution! reset will clear all access credentials from the switch.

Operation

Behavior

Relay toggles via:
- Igloo app (Bluetooth)
- Igloo accessory (e.g., EK1)
- Request-to-exit (REX)

Relay releases after a set delay or when DPI indicates door closed.

LEDs	UNLIT	GREEN (SOLID)	BLUE (BLINK)
PWR	No power	Power OK	N/A
STATUS	No Operation	NC/NO operating	BLE Tx/Rx

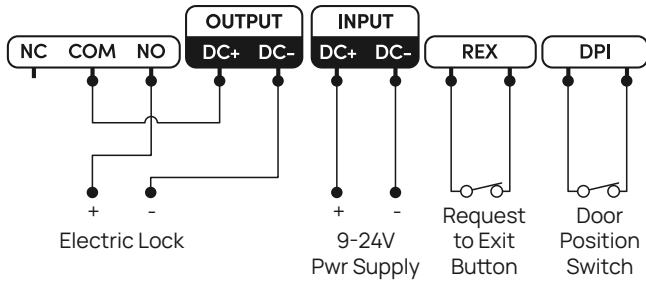
LEDs	RED (SOLID)	RED (SLOW BLINK)	RED (FAST BLINK)
PWR	N/A	N/A	N/A
STATUS	OCV/OVP/OTP	HW fail / FW tampering	Factory Reset

Recommended Wiring

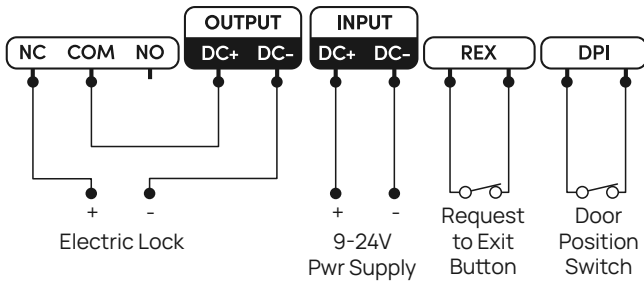
TERMINAL	AWG	MAX LENGTH
INPUT (isolated)	22	182m / 600 ft
INPUT (non-isolated)	18	457m / 1500 ft
OUTPUT	18	457m / 1500 ft
REX	22	457m / 1500 ft
DPI	22	457m / 1500 ft
NC/NO/COM	18	457m / 1500 ft

Wiring

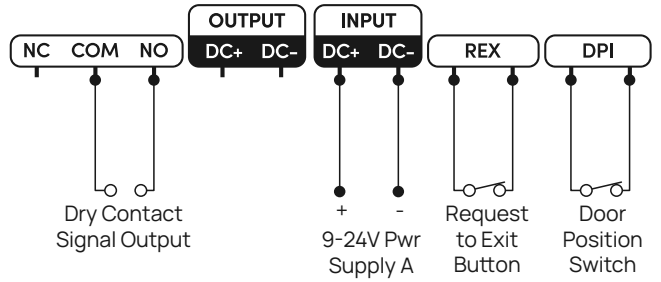
Non - isolated (WET)
Normally Open (NO) / FAIL SAFE (FS)



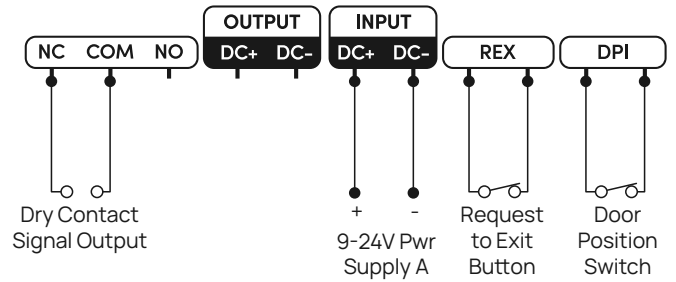
Non - isolated (WET)
Normally Closed (NC) / FAIL SECURE (FSE)



Isolated (DRY)
Normally Open (NO)



Isolated (DRY)
Normally Closed (NC)



Notes:

Contact Us

support@igloohome.co
+65 3129 2464 (Singapore)
+1 929 224 0688 (USA)

Learn more through our online manuals and support portal:
<https://go.igloohome.co/SW1support>